



---

*MANUFACTURING HIGH QUALITY  
ENVIRONMENTAL ABATEMENT EQUIPMENT  
SINCE 1988*

---



# OmniFlow Water Filtration System Operations and Maintenance Manual

**! WARNING**

- This equipment to be operated only by trained personnel.
- Do not use with combustible or explosive material.
- Do not expose to water or rain.
- Connect only to grounded outlet with GFCI device.
- Disconnect power for cleaning and servicing.




NOT INTENDED FOR CONNECTION TO POTABLE WATER

NON DESTINÉS À LA CONNEXION À L'EAU POTABLE

**! AVERTISSEMENT**

- Cet équipement à être exploité uniquement par du personnel qualifié.
- N'utilisez pas avec des matériaux inflammables ou explosifs.
- N'exposez pas à l'eau ou à la pluie.
- Se connecter uniquement à la sortie avec dispositif de GFCI.
- Coupez l'alimentation pour le nettoyage et l'entretien.




CONFORMS TO UL STD 507  
 CERTIFIED TO CAN/CSA STD  
 C22.2 NO. 113-M1984

**WARNING:**

“GROUNDING INSTRUCTIONS - This appliance must be grounded. In the event of a malfunction or breakdown, grounding will reduce the risk of electric shock by providing a path of least resistance for electric current. This appliance is equipped with a cord having an appliance-grounding conductor and a grounding plug. The plug must be plugged into an appropriate outlet that is installed and grounded in accordance with all local codes and ordinances.”

“WARNING - Improper connection of the appliance-grounding conductor can result in a risk of electric shock. Check with a qualified electrician or service representative if you are in doubt whether the appliance is properly grounded. Do not modify the plug provided with the appliance; if it will not fit the outlet, have a proper outlet installed by a qualified technician.”

**AVERTISSEMENT:**

"INSTRUCTIONS DE MISE À LA TERRE - Cet appareil doit être mis à la terre. En cas de défaillance ou de panne, la terre réduira le risque de choc électrique en fournissant un chemin de moindre résistance au courant électrique. Cet appareil est équipé d'un cordon comportant un conducteur de l'appareil à la terre et une prise de mise à la terre. La prise de mise à la terre doit être branchée dans une prise électrique appropriée, installée et mise à la terre conformément aux codes et règlements locaux. "

"ATTENTION - Une connexion incorrecte du conducteur de l'appareil à la terre peut entraîner un risque de choc électrique. Vérifier avec un électricien qualifié ou un représentant de service si vous êtes dans le doute si l'appareil est correctement mise à la terre. Ne pas modifier la fiche fournie avec l'appareil; si elle n'entre pas dans la prise, faites installer une prise adéquate par un technicien qualifié. "

## **SPECIFICATIONS**

**Power:** 115 VAC, 60 Hz, 1 amp

**Controls:** ON/OFF Switch; 1 amp Circuit Breaker

**First Filter:** 20 micron, 9<sup>3</sup>/<sub>4</sub>" x 2<sup>3</sup>/<sub>4</sub>"

**Final Filter:** 5 micron, 9<sup>3</sup>/<sub>4</sub>" x 2<sup>3</sup>/<sub>4</sub>"

**Housing:** Aluminum 0.080", mill finish, size 15"H x 8"W x 23"L

**Weight:** 25 lbs.

**Maximum Liquid Temperature:** 130° F (54° C)

**Operating Parameters:** 32° F (0° C) to 130° F (54° C)

## **ORDERING INFO .....PART #**

OmniFlow Water Filtration System 115 VAC.....OWF115

Filter, 20 micron, (Qty 2).....OWF20

Filter, 5 micron, (Qty 2) .....OWF5

## **Unpacking**

- Check for any outside damage
- Open the sliding cover and check the inside compartment for any damage
- Ensure that the filter housings are tight and filters are installed
- Check the inlet hose connection. Make sure that #50 mesh screen is installed. **Do not operate the unit without this screen, sediments will build up inside the pump diaphragm.**

## **OPERATING INSTRUCTIONS**

The OWF115 water filtration system is a portable unit with self priming pump and two stage filtration. The Water Filtration System is designed for **indoor use only** and to operate in upright standing position.

Locate the Water Filtration System close to the waste water storage on a level, dry surface and standing upright. The Water Filtration System pump is self priming and has up to 9 feet of vertical lift. The discharge pressure is factory set at 45 psi.

1. Locate the Water Filtration System near your waste water storage to minimize required suction
2. Connect the suction hose (garden hose thread). Ensure that the #50 mesh inlet screen is installed and the hose has no air leaks. **Tighten the hose well! It is critical for self priming pumps to operate!**
3. Connect the discharge hose (garden hose thread) to drain. Make sure that hose does not have kinks or restrictions.
4. Connect power cord to 115 VAC grounded circuit with GFCI. **Keep the cord out of water and do not route it under the unit.**
5. Turn unit **ON** and wait for the pump to prime the system and check that the water is discharged from the unit. *Note: New filters take longer to fill with water.*
6. When you deplete the water source, turn the pump **OFF**.

## **MAINTENANCE INSTRUCTIONS**

### **Check and clean the water inlet screen frequently**

Plugged screen will prevent priming and pumping. Missing screen will allow particulates to settle inside the pump diaphragm and could cause damage to the pump. Also, a missing washer will cause an air leak and the pump will not be able to prime the system.

### **Inspect water filters daily**

Loosen the fasteners on the sliding door and lift the door. When filter housing is full of sediment the water discharged from pump will get blocked. The cartridges are 20 micron and the final before discharge is 5 micron.

### **Replacement of water filter cartridges**

- Disconnect the water intake hose and let the pump run dry. This will push some water out of the filter housing.
- Disconnect the power and hoses.
- Stand unit on end with the discharge hose bib pointing down to allow the water to empty.
- Lay unit on back.
- Slide door open.
- Unscrew the filter housing, remove cartridge, drain and flush.
- Insert new filter cartridge in the housing, align with cap and hand tighten only.
- Connect the water suction hose, start the pump and check for leaks. Close the door and secure with fasteners.

### **Recommendation**

Flush the Water Filtration System with clean water daily.

## **Troubleshooting**

Your Omnitec Design machine is designed and engineered to provide years of trouble free service. Occasionally though problems do occur. Here are some helpful tips and solutions to common problems.

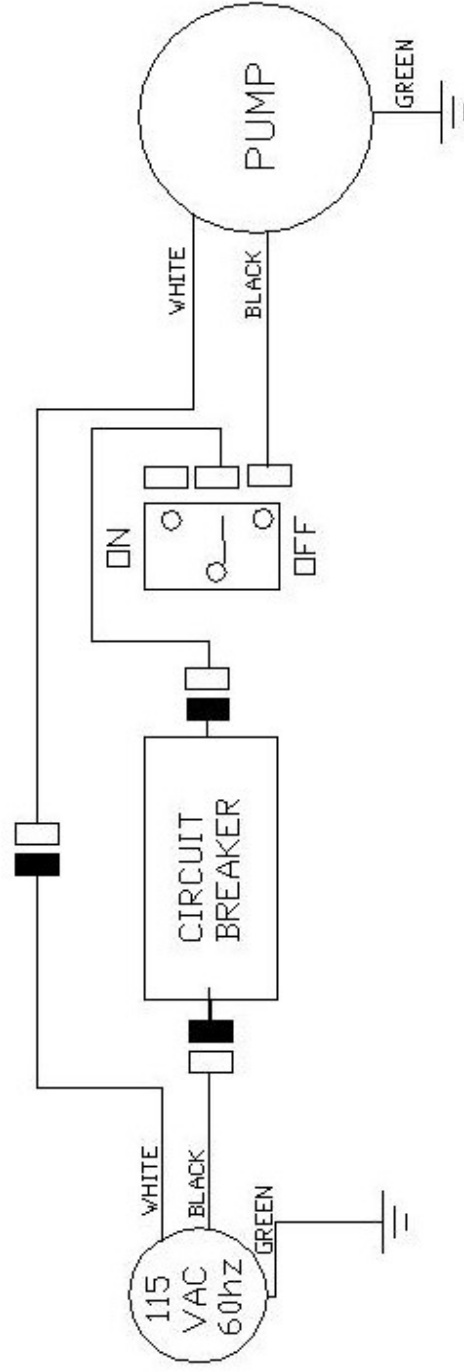
### **Pump will not start**

- Check power is **ON**
- Check the circuit breaker on the Water Filtration System is not tripped
- Check for the correct voltage at the outlet 115 VAC
- Check if pump is hot - thermal protection shuts down the motor at 230° F and restarts automatically when cooled down
- Check that outlet hose is not kinked

### **Pump will not prime**

- Out of water supply
- #50 inlet screen is plugged - Clean inlet screen; operation without this screen is not recommended
- Check for a large amount of sediment in filter housing. Replace the 20 and 5 micron filters if required
- The suction hose is not tight or has air leaks (critical for self priming pumps)
- Suction hose has a serious vacuum leak
- Inlet or outlet hose has a sharp kink
- Pump housing is cracked
- Sediment buildup in pump diaphragm
- Leaks from pump head or switch
- Loose screw at pump head or switch
- Switch diaphragm ruptured or pinched

If the machine does require electrical servicing of the motor or switches the following page contains a wiring diagram to aid in repair or troubleshooting.



Dimltec Design  
 2125 196th St SW #115  
 Lynnwood, WA 98036

Water Filtration Wiring Diagram

Revision B

Revision Notes

Date  
 3/08/11



## Omnitec Design, Inc.

4640 Campus Place, Suite 110 Mukilteo, WA 98275

Visit us @ [www.omnitecdesign.com](http://www.omnitecdesign.com)

Office: 425-290-3922