



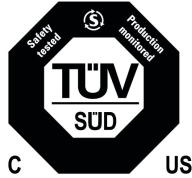
PEROX
Air Purification Unit



Operation and Maintenance Manual

WARNING

Do not use with combustible or explosive material. Do not expose to water or rain. Connect only to grounded outlet with GFCI device. Disconnect power for cleaning and servicing. This equipment to be operated only by trained personnel. High intensity Ultraviolet light. Avoid eye and skin exposure. Do not operate without coverings. Do not look directly at UV light source. Wear UV eye protection.



CONFORMS TO UL STD 507
CERTIFIED TO CAN/CSA STD
C22.2 NO. 113-M1984

Safety Warning Instructions:

READ AND SAVE THESE INSTRUCTIONS

This equipment to be operated only by trained personnel.

Do not use with combustible or explosive material.

Do not expose to water or rain.

Connect only to grounded outlet with GFCI device.

Disconnect power for cleaning and servicing.

Do not operate if cord or plug is damaged. Contact a authorized service facility for examination and/or repair.

Do not run cord under carpeting. Do not cover cord with throw rugs, runners, or similar coverings. Arrange cord away from traffic areas and where it is not a tripping hazard.

High intensity Ultraviolet light inside. Avoid eye and skin exposure.

Do not look directly at UV light source. Wear UV eye protection.

Do not operate without coverings.

Avertissement de sécurité Instructions:

LIRE ET CONSERVER CES INSTRUCTIONS

Cet équipement doit être utilisé que par un personnel formé.

Ne pas utiliser avec des matières combustibles ou explosives.

Ne pas exposer à l'eau ou à la pluie.

Connectez uniquement à une prise mise à la terre avec un dispositif GFCI.

Coupez l'alimentation électrique pour le nettoyage et l'entretien.

Ne pas utiliser si le cordon ou la fiche est endommagé. Contactez un centre de service autorisé pour examen et / ou réparation.

Ne pas passer le cordon sous un tapis. Ne pas couvrir le cordon avec des carpettes, les coureurs, ou revêtements similaires. Éloigner le cordon des endroits passants et où il n'est pas un risque de déclenchement.

Haute intensité de lumière ultraviolette à l'intérieur. Évitez les yeux et l'exposition de la peau.

Ne pas regarder directement à la source de lumière UV. Porter des lunettes de protection UV.

Ne pas faire fonctionner sans revêtement.

The PEROX PG air purifier produces and distributes eco-friendly oxidizer plasma that sanitizes air, surfaces and controls odors at their source, in 3,000-8,000 cubic feet of space. The oxidizer plasma provides bio-protection 24/7 without the use of chemicals. The purifier is easy to install with any HVAC or air moving system and is scalable to any size operation.

PEROX PG

Airflow: 300 – 2000 CFM from HVAC systems, an external fan or blower.

Power Requirements: 115-230 VAC/50-60 Hz/0.2-0.1 amps

PHO Generators: 14" Photo Hydro Oxidization generator cell

Filtration: (2) 12"x12"x1" MERV-11 pleated filters, (2) 12"x12"x1" pleated carbon filters

Recessed Controls: ON/OFF/Timer switch, hour meter, 0-12 hr timer switch

Housing: Aluminum housing with 12" inlet/outlet connections, (2) rubber handles

Size/Weight with Filters: 8.5"D x 15.5"W x 27"H; 18 lbs.

Receiving Instructions

Visually inspect the unit for damage. Ensure that the filters have not been dislodged during shipping. The unit must be operated with filters in place.

Operation of the PEROX PG

The PEROX PG requires an external air supply to disperse generated friendly oxidizer plasma to purify surrounding air and surfaces. The oxidizer plasma, generated from O₂ and humidity in the air, remains active for about 15 minutes then converts back to O₂ and humidity. The airflow through the purifier unit should be from 300 to 2000 CFM to operate properly. The airflow through the PG unit is unidirectional and does not matter which side is used as the intake. PEROX PG should be operated with prefilters installed. The oxidizer plasma is safe for human exposure however individual comfort level varies.

Operating Instructions

When using the PEROX PG with any HEPA air unit, it should be aligned with or connected to the exhaust of the HEPA machine to maximize the air purification process. When the purifier is used with an air mover/blower without an internal filter, the unit could be aligned with the intake or exhaust side of the air mover. This unit is suitable for spaces up to 8,000 cf.

Pre-filter Replacement

1. Unplug the unit and remove the bottom panel.
2. The filters are held in place by a spring clip that is permanently attached to the unit. Push down on the filter itself until it clears the clamp then remove it.
3. To re-install the filter, place the bottom edge of the filter inside the slip and then push down on the filter itself until it snaps into place.

Generator Cell Replacement

The generator cell's output slowly degrades and should be replaced after 25,000 hours of running.

To replace the generator cell(s):

- 1) Unplug the machine.
- 2) Remove the bottom panel to gain access to the generator cells.
- 3) Follow the instructions included with the replacement cell.

Ordering Info

PEROX PG
 PEROX PG-230
 Primary/Secondary MERV 11 Filter
 Carbon Filter
 Quick Clamp, 12"-16" Dia.
 Flexible Duct, 12" Dia. x 25' L
 PEROX 14" Replacement PHO Generator

Part

OAHPG
 OAHPG-230
 OPF12121
 OG12121
 QCW14
 OAD12
 EHPG-4

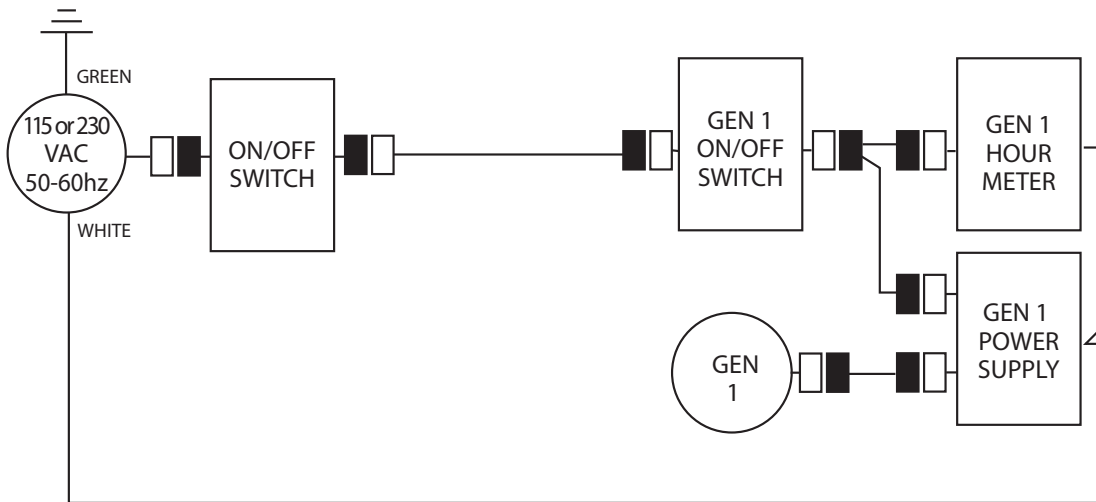


Diagram Legend	
	Wiring Connector
	Terminated (Capped) Wire
	Red LED Light
	Amber LED Light
	Green LED Light

 4640 Campus Place, Suite 100 T. 425.290.3922 F. 425.290.3964	MODEL OAHPG		
	Wiring Diagram		
	DRAWN BY: A. Briceno		REV A
	SCALE Not to Scale	DATE February 20, 2017	SHEET 1 of 1

Omnitec Design Inc. LIMITED WARRANTY

Omnitec Design Inc warrants, for a period of twelve (12) months from the date of purchase, that all Products, component parts and accessories, excluding filters, will be free from defects in material and workmanship under normal use and service.

THE PURCHASER'S SOLE AND EXCLUSIVE REMEDY UNDER THIS WARRANTY IS LIMITED TO THE REPAIR OR REPLACEMENT OF DEFECTIVE PARTS F.O.B., Omnitec Design Inc 4640 Campus Place Ste. 100, Mukilteo, WA 98275 Phone: 425-290-3922

In order to keep this warranty in effect for the aforementioned twelve-month period, the purchaser must (i) promptly, i.e., immediately upon discovery, inform Omnitec Design Inc's customer service of any defects, and (ii) properly use and maintain the Product prior to the discovery of any defect.

This warranty does not cover normal wear and tear or defects caused by (i) improper or negligent handling or unauthorized modifications; (ii) defective or improper premises, chemical, or electrical influences; or (iii) weather or other forces of nature.

In order to provide the best customer service possible, Omnitec Design Inc requests that purchaser completes the enclosed LIMITED WARRANTY REGISTRATION FORM and returns it to Omnitec Design Inc within 30 days of purchase date.

LIMITATIONS OF WARRANTY

THIS WARRANTY IS EXPRESSLY IN LIEU OF ANY AND ALL OTHER WARRANTIES AND OBLIGATIONS OF Omnitec Design Inc OR ITS SUPPLIERS, EXPRESS OR IMPLIED, AND Omnitec Design Inc EXPRESSLY DISCLAIMS ANY WARRANTY OF MERCHANTABILITY OR FITNESS FOR ANY PARTICULAR PURPOSE.

LIMITATION OF REMEDY

Under no circumstances shall Omnitec Design Inc or any supplier of Omnitec Design Inc be liable for any loss or damage, including, but not limited to, loss or damage arising out of the failure of the Products to operate for any period of time, inconvenience, the use of rental or replacement equipment, loss of profits or other economic loss, or general, direct, special, indirect, incidental or consequential damages or property damages.

PRODUCT SUITABILITY

Many states and localities have their own varied codes and regulations governing sales, construction, installation, and/or use of Products for certain purposes. While Omnitec Design Inc attempts to assure that its Products comply with such codes, it cannot guarantee compliance, and cannot be responsible for how the Products are installed or used. Omnitec Design Inc recommends that, before purchasing and using a Product, purchasers review the Product application, and federal, state and local regulations, to be sure that the Products, installation, and use will comply with them.

LIMITED WARRANTY REGISTRATION

The undersigned has read and understood the above Warranty and Limitation of Warranty and Limitation of Remedy.

PRODUCT # _____ SERIAL # _____

PURCHASED FROM _____ DATE _____

CUSTOMER INFORMATION

COMPANY _____ PHONE _____

STREET _____

CITY _____ STATE _____ ZIP CODE _____

BY _____ DATE _____

PLEASE SEND TO:
Omnitec Design Inc 4640 Campus Place Ste. 100 Mukilteo, WA 98275